



**Container**<sup>®</sup>  
by ess

## Container BOX 10 (Creme)

Container Box Wall Niche offers unique space-saving opportunities. This product is made of high-quality stainless steel and comes in various sizes. The Wall Niche can conveniently stow all your shampoos, shower gel's and other bathroom items. Container Box Wall Niche is easy and quick to install with uncomplicated sealing and tiling. The design is simple, sleek and looks harmonious in every bathroom. Needless to say is that all products of this serie meet the high-quality standard set by ESS.

### ADVANTAGES

- Suitable for - Drywall and solid wall
- Material - Made of high-quality stainless steel
- Installation - time-saving
- Installation - easy sealing



#### Sales Office USA

North America - Easy Sanitary Solutions  
1490 Bluegrass Lakes Pkwy D, Alpharetta, GA 30004  
T. +1 (800) 334 - 0455  
sales-usa@esspost.com | www.easydrainusa.com

#### Manufacturer

Easy Sanitary Solutions  
Warschauerstraße 1 | 48455 Bad Bentheim | Germany  
T. +49 (0) 59 24 29 91 568 | F. +49 (0) 59 24 29 91 537  
info@esspost.com | www.easydrain.de

## GENERAL

---

Series	BOX
Name	Container BOX 10 (Creme)
Wall niche model	Wall niche
Rough dimensions (inch)	24" x 12" x 4"

## DESIGN

---

Colour / finish	Creme / RAL 9001
Material	Stainless steel (304)
Frame finish	Stainless steel (304)
Tileable door	N.A.
Lumen (lm)	N.A.
Color temperature led (K)	N.A.

## INSTALLATION

---

Installation depth (inch)	4
Variable installation depth	No
Built in element and sealing set included	Yes
Material rough	Polystyreen (PS)
Wall type	Drywall construction;Solid wall construction
Tile insert door (inch)	N.A.

## PRODUCT CODE

---

24 x 12 x 4	BOX-60x30x10-PC
-------------	-----------------

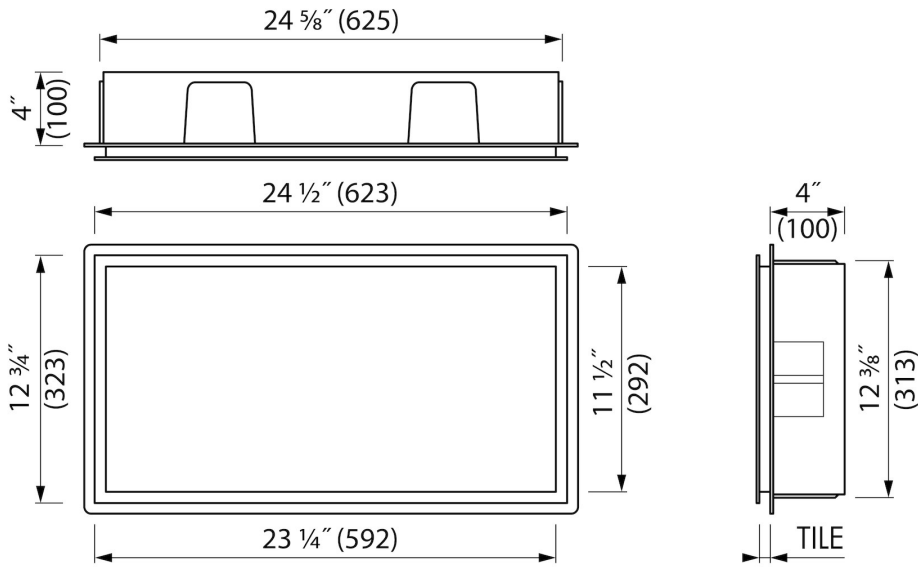
**Sales Office USA**

North America - Easy Sanitary Solutions  
1490 Bluegrass Lakes Pkwy D, Alpharetta, GA 30004  
T. +1 (800) 334 - 0455  
sales-usa@esspost.com | www.easydrainusa.com

**Manufacturer**

Easy Sanitary Solutions  
Warschauerstraße 1 | 48455 Bad Bentheim | Germany  
T. +49 (0) 59 24 29 91 568 | F. +49 (0) 59 24 29 91 537  
info@esspost.com | www.easydrain.de

## TECHNICAL DRAWINGS



**Sales Office USA**

North America - Easy Sanitary Solutions  
 1490 Bluegrass Lakes Pkwy D, Alpharetta, GA 30004  
 T. +1 (800) 334 - 0455  
 sales-usa@esspost.com | www.easydrainusa.com

**Manufacturer**

Easy Sanitary Solutions  
 Warschauerstraße 1 | 48455 Bad Bentheim | Germany  
 T. +49 (0) 59 24 29 91 568 | F. +49 (0) 59 24 29 91 537  
 info@easydrainusa.com | www.easydrain.de