



Easy Drain[®]

by ess

Xs Z-1

Easy Drain Xs, the world's smallest design linear shower drain, is equipped with the patented TAF-system and Water Protections System, so we can guarantee a 100% water proof finish. The award winning Xs design set Z-1 is installed with a subtle small frame on all sides and offers very high water capacity.

FEATURES

- Available lengths - 500 - 2000 mm
- Water Protection System - 10-year warranty
- Tile Adjustable Frame - Height adjustable 5 - 25 mm
- Drainage capacity - according to EN 1253
- Siphon - Easy to clean
- Supplied as - Complete set



Manufacturer

Easy Sanitary Solutions
Nijverheidsstraat 60 | 7575 BK Oldenzaal | The Netherlands
T. +31 (0)541 200 800 | F. +31 (0)541 200 899
info@esspost.com | www.easydrain.com

Contact

Easy Sanitary Solutions
Nijverheidsstraat 60 | 7575 BK Oldenzaal | The Netherlands
T. +31 (0)541 200 800 | F. +31 (0)541 200 899
sales@esspost.com | www.easydrain.com

GENERAL

| | |
|---------------|---|
| Serie | Xs Z-1 |
| Name | Xs Z-1 |
| Model | Rectangular shower drain |
| Length (mm) | 500, 600, 700, 800, 900, 1000, 1100, 1200 |
| Product type | Complete |
| Application | New construction, Renovation |
| Certification | DIN 18534, ETAG-022 |

INSTALLATION

| | |
|---|---|
| Substrate | Concrete / Sand Cement, Wooden floors, Lewis sheets |
| Floor finish | Natural stone, Tiles / Mosaic, Glass Mosaic, Thin tiles |
| Height adjustable feet | Included |
| Installation option | Floor |
| Outlet | Horizontal (Vertical outlet optional) |
| Connection (mm) | 50 (Global) / 56 (UK) |
| Min. installation depth (mm) (built-in set) | 90 |
| Min. installation depth (mm) (incl. grate) | 95 |

DRAINAGE

| | |
|---|----|
| Max. drainage capacity entrance (l/min) | 33 |
| Max. drainage capacity wall (l/min) | 41 |
| Max. drainage capacity (l/min) | 41 |

BUILT-IN SET

| | |
|--------------------------------|--|
| Pre-assembled sealing membrane | Included |
| Siphon features | Cleanable, Pivotal & adjustable, Height adjustable |
| Water seal height (mm) | 50 |
| Outlet | Horizontal (Vertical outlet optional) |
| Material siphon | Polypropylene (PP) |

DESIGN

| | |
|-------------------------|-------------------------------|
| Grate finish | Chrome-plated stainless steel |
| Grate pattern | Zero / Closed |
| Grate width (mm) | 20 |
| Grate tile insert (mm) | N.A. |
| Adjustable grate | No |
| Frame type | TAF (Tile Adjustable Frame) |
| TAF Frame material | Stainless steel (304) |
| Design frame finish | N.A. |
| Frame width (mm) | 36 |
| Wheelchair accessible | Yes |
| Extension set available | No |



Manufacturer

Easy Sanitary Solutions
 Nijverheidsstraat 60 | 7575 BK Oldenzaal | The Netherlands
 T. +31 (0)541 200 800 | F. +31 (0)541 200 899
 info@esspost.com | www.easydrain.com

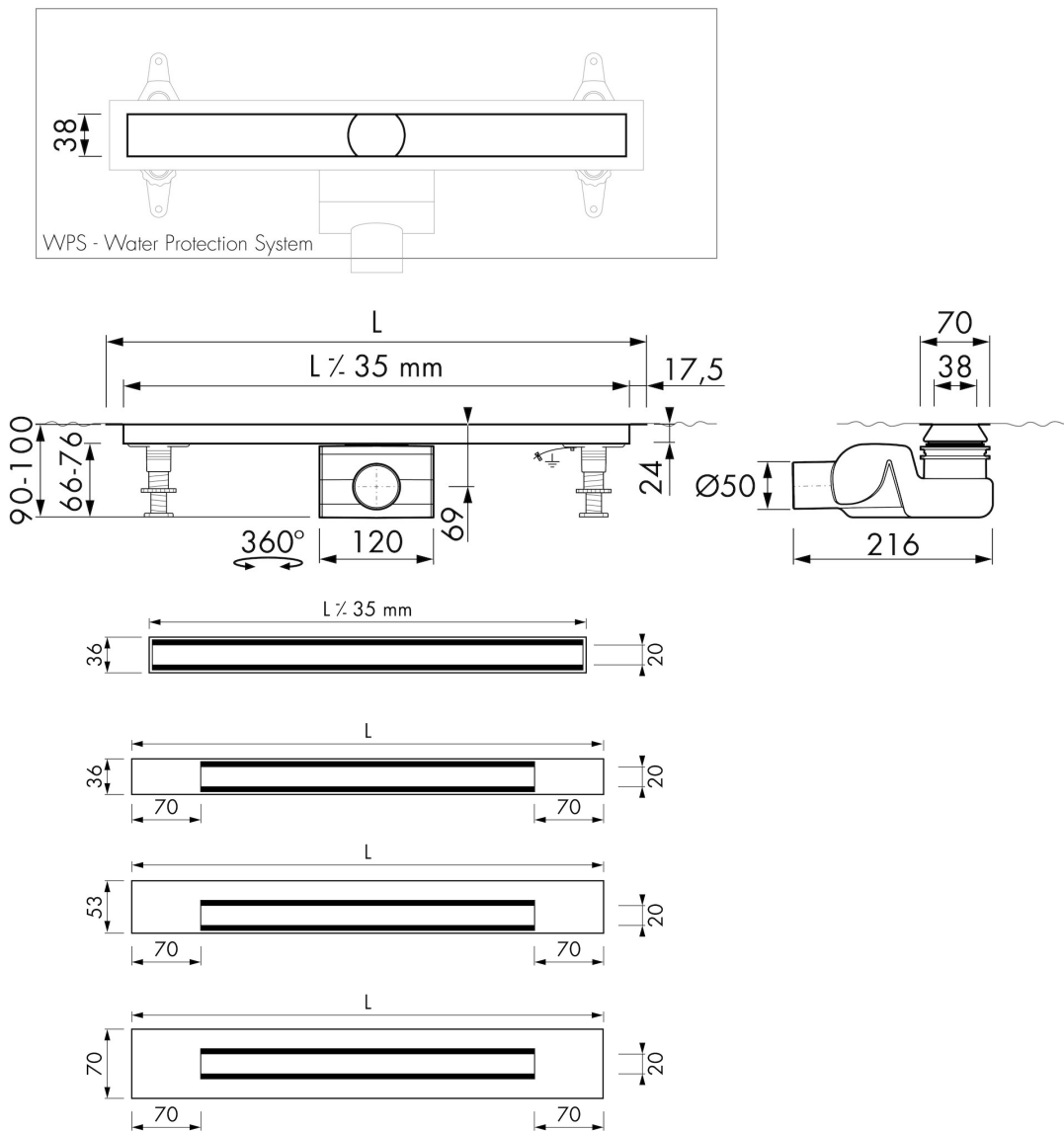
Contact

Easy Sanitary Solutions
 Nijverheidsstraat 60 | 7575 BK Oldenzaal | The Netherlands
 T. +31 (0)541 200 800 | F. +31 (0)541 200 899
 sales@esspost.com | www.easydrain.com

ARTICLE CODE

| | | | |
|---------|-----------------------------|--|--|
| 500 mm | XS-Z1M-P-500 / XS-ROH-500 | | |
| 600 mm | XS-Z1M-P-600 / XS-ROH-600 | | |
| 700 mm | XS-Z1M-P-700 / XS-ROH-700 | | |
| 800 mm | XS-Z1M-P-800 / XS-ROH-800 | | |
| 900 mm | XS-Z1M-P-900 / XS-ROH-900 | | |
| 1000 mm | XS-Z1M-P-1000 / XS-ROH-1000 | | |
| 1100 mm | XS-Z1M-P-1100 / XS-ROH-1100 | | |
| 1200 mm | XS-Z1M-P-1200 / XS-ROH-1200 | | |

TECHNICAL DRAWINGS



Manufacturer

Easy Sanitary Solutions
 Nijverheidsstraat 60 | 7575 BK Oldenzaal | The Netherlands
 T. +31 (0)541 200 800 | F. +31 (0)541 200 899
 info@esspost.com | www.easydrain.com

Contact

Easy Sanitary Solutions
 Nijverheidsstraat 60 | 7575 BK Oldenzaal | The Netherlands
 T. +31 (0)541 200 800 | F. +31 (0)541 200 899
 sales@esspost.com | www.easydrain.com