



Easy Drain[®]

by ess

Xs Z-3

Easy Drain Xs, the world's smallest design linear shower drain, is equipped with the patented TAF-system and Water Protection System, so we can guarantee a 100% water proof finish. The award winning Xs design set Z-1 is installed with a subtle small frame on all sides and offers very high water capacity.

FEATURES

- Available lengths - 500 - 2000 mm
- Water Protection System - 10-year warranty
- Tile Adjustable Frame - Height adjustable 5 - 25 mm
- Drainage capacity - according to EN 1253
- Siphon - Easy to clean
- Supplied as - Complete set



Manufacturer

Easy Sanitary Solutions
Nijverheidsstraat 60 | 7575 BK Oldenzaal | The Netherlands
T. +31 (0)541 200 800 | F. +31 (0)541 200 899
info@esspost.com | www.easydrain.com

Contact

Easy Sanitary Solutions
Nijverheidsstraat 60 | 7575 BK Oldenzaal | The Netherlands
T. +31 (0)541 200 800 | F. +31 (0)541 200 899
sales@esspost.com | www.easydrain.com

GENERAL

Serie	Xs Z-3
Name	Xs Z-3
Model	Rectangular shower drain
Length (mm)	800, 900, 1000, 1100, 1200
Product type	Complete
Application	New construction, Renovation
Certification	DIN 18534, ETAG-022

INSTALLATION

Substrate	Concrete / Sand Cement, Wooden floors, Lewis sheets
Floor finish	Natural stone, Tiles / Mosaic, Glass Mosaic, Thin tiles
Height adjustable feet	Included
Installation option	Floor, Wall
Outlet	Horizontal (Vertical outlet optional)
Connection (mm)	50 (Global) / 56 (UK)
Min. installation depth (mm) (built-in set)	90
Min. installation depth (mm) (incl. grate)	95

DRAINAGE

Max. drainage capacity entrance (l/min)	33
Max. drainage capacity wall (l/min)	41
Max. drainage capacity (l/min)	41

BUILT-IN SET

Pre-assembled sealing membrane	Included
Siphon features	Cleanable, Pivotal & adjustable, Height adjustable
Water seal height (mm)	50
Outlet	Horizontal (Vertical outlet optional)
Material siphon	Polypropylene (PP)

DESIGN

Grate finish	Chrome-plated stainless steel
Grate pattern	Zero / Closed
Grate width (mm)	20
Grate tile insert (mm)	N.A.
Adjustable grate	No
Frame type	TAF (Tile Adjustable Frame)
TAF Frame material	Stainless steel (304)
Design frame finish	N.A.
Frame width (mm)	53
Wheelchair accessible	Yes
Extension set available	No



Manufacturer

Easy Sanitary Solutions
 Nijverheidsstraat 60 | 7575 BK Oldenzaal | The Netherlands
 T. +31 (0)541 200 800 | F. +31 (0)541 200 899
 info@esspost.com | www.easydrain.com

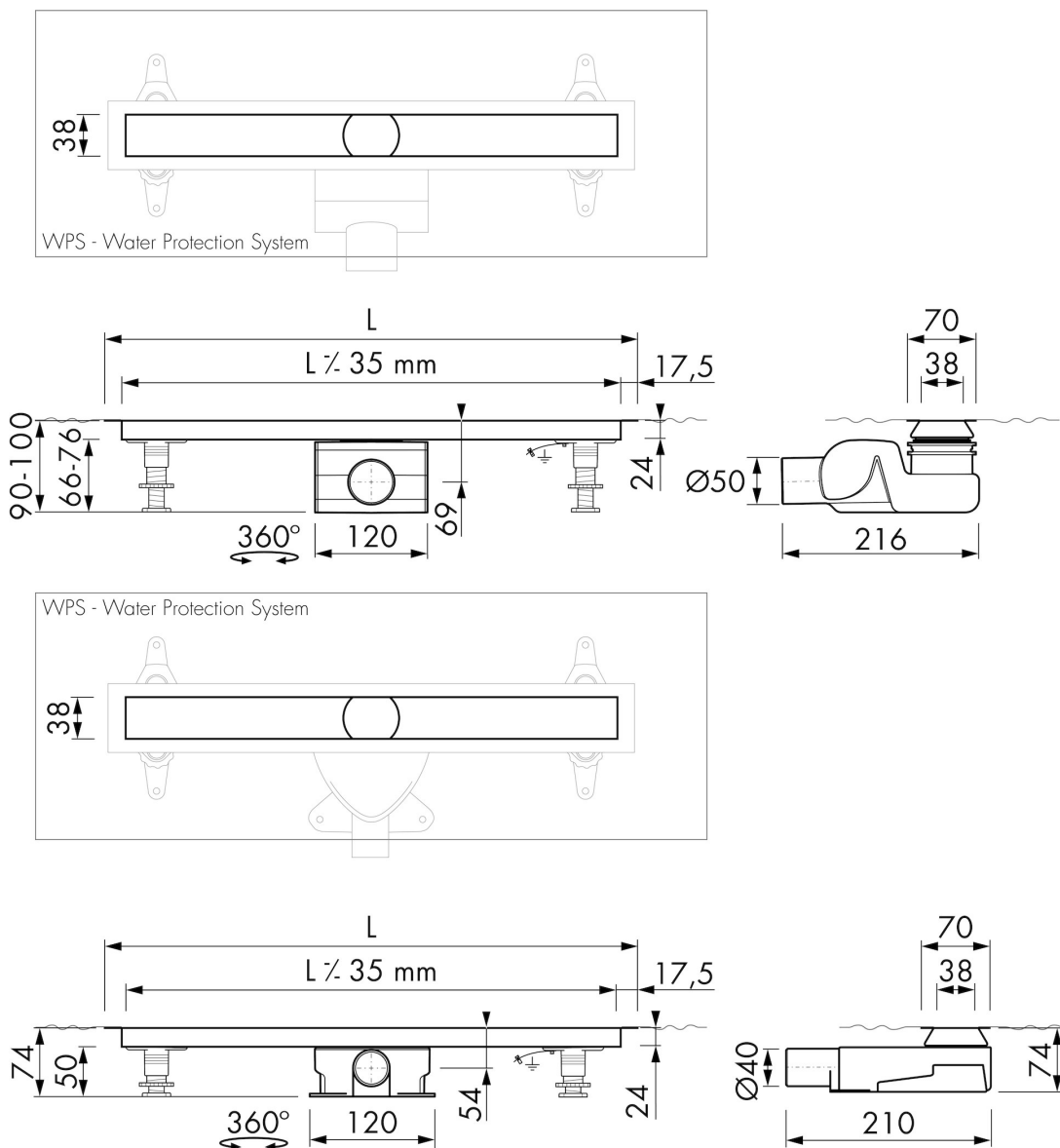
Contact

Easy Sanitary Solutions
 Nijverheidsstraat 60 | 7575 BK Oldenzaal | The Netherlands
 T. +31 (0)541 200 800 | F. +31 (0)541 200 899
 sales@esspost.com | www.easydrain.com

ARTICLE CODE

800 mm	XS-Z3P-P-800 / XS-ROH-800		
900 mm	XS-Z3P-P-900 / XS-ROH-900		
1000 mm	XS-Z3P-P-1000 / XS-ROH-1000		
1100 mm	XS-Z3P-P-1100 / XS-ROH-1100		
1200 mm	XS-Z3P-P-1200 / XS-ROH-1200		

TECHNICAL DRAWINGS



Manufacturer

Easy Sanitary Solutions
 Nijverheidsstraat 60 | 7575 BK Oldenzaal | The Netherlands
 T. +31 (0)541 200 800 | F. +31 (0)541 200 899
 info@esspost.com | www.easydrain.com

Contact

Easy Sanitary Solutions
 Nijverheidsstraat 60 | 7575 BK Oldenzaal | The Netherlands
 T. +31 (0)541 200 800 | F. +31 (0)541 200 899
 sales@esspost.com | www.easydrain.com