



Easy Drain[®]
by ess

Multi Wall

Easy Drain Multi Wall, the worlds most multifunctional linear shower drain, has various design grates and almost limitless application possibilities. The ABS trap body can be shortened to any height and is supplied with three water seals. If required, another type of Multi trap body can be ordered separately.

FEATURES

- Certified - EN 1253
- Grate - Height adjustable grate
- Siphon - Easy to clean
- Supplied as - Complete set
- Available lenghts - 800 - 1200 mm



Manufacturer

Easy Sanitary Solutions
Nijverheidsstraat 60 | 7575 BK Oldenzaal | The Netherlands
T. +31 (0)541 200 800 | F. +31 (0)541 200 899
info@esspost.com | www.easydrain.com

Contact

Easy Sanitary Solutions
Nijverheidsstraat 60 | 7575 BK Oldenzaal | The Netherlands
T. +31 (0)541 200 800 | F. +31 (0)541 200 899
sales@esspost.com | www.easydrain.com

GENERAL

Serie	Multi Wall
Name	Multi Wall
Model	Rectangular shower drain
Length (mm)	800, 900, 1000, 1100, 1200
Product type	Complete
Application	Renovation, New construction
Certification	EN 1253, ETAG-022, DIN 18534

INSTALLATION

Substrate	Concrete / Sand Cement, Lewis sheets, Wooden floors
Floor finish	Thin tiles, Tiles / Mosaic, Glass Mosaic
Height adjustable feet	Included
Installation option	Wall
Outlet	Horizontal (Vertical outlet optional)
Connection (mm)	50 (Global) / 56 (UK)
Min. installation depth (mm) (built-in set)	59
Min. installation depth (mm) (incl. grate)	79

DRAINAGE

Max. drainage capacity entrance (l/min)	N.A.
Max. drainage capacity wall (l/min)	29
Max. drainage capacity (l/min)	29

BUILT-IN SET

Pre-assembled sealing membrane	N.A.
Siphon features	Cleanable, Pivotal & adjustable, Height adjustable
Water seal height (mm)	30 / 35 / 50
Outlet	Horizontal (Vertical outlet optional)
Material siphon	ABS

DESIGN

Grate finish	Brushed stainless steel
Grate pattern	Fixt
Grate width (mm)	98
Grate tile insert (mm)	N.A.
Adjustable grate	Yes
Frame type	N.A.
TAF Frame material	N.A.
Design frame finish	N.A.
Frame width (mm)	N.A.
Wheelchair accessible	Yes
Extension set available	No



Manufacturer

Easy Sanitary Solutions
 Nijverheidsstraat 60 | 7575 BK Oldenzaal | The Netherlands
 T. +31 (0)541 200 800 | F. +31 (0)541 200 899
 info@esspost.com | www.easydrain.com

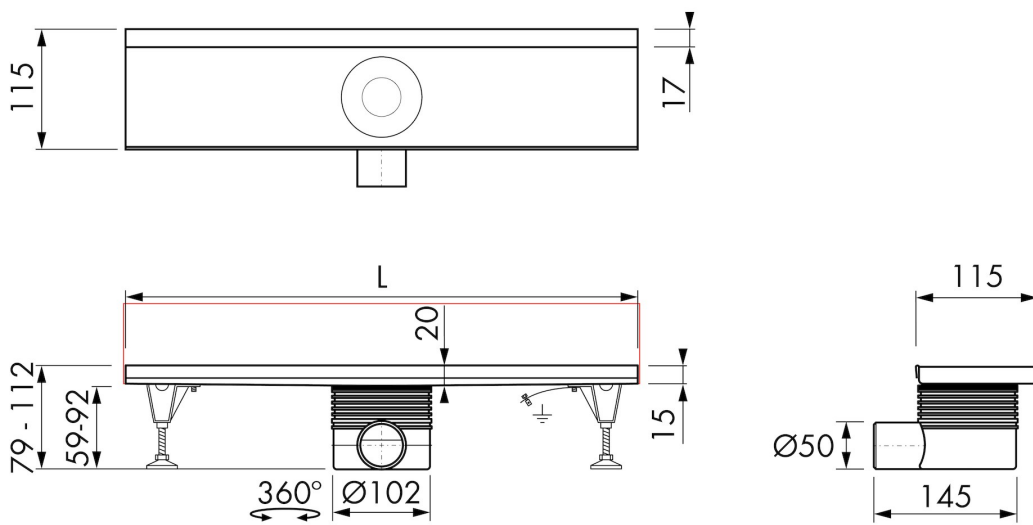
Contact

Easy Sanitary Solutions
 Nijverheidsstraat 60 | 7575 BK Oldenzaal | The Netherlands
 T. +31 (0)541 200 800 | F. +31 (0)541 200 899
 sales@esspost.com | www.easydrain.com

ARTICLE CODE

800 mm	EDF800 / EDMWI800		
900 mm	EDF900 / EDMWI900		
1000 mm	EDF1000 / EDMWI1000		
1100 mm	EDF1100 / EDMWI1100		
1200 mm	EDF1200 / EDMWI1200		

TECHNICAL DRAWINGS



Manufacturer

Easy Sanitary Solutions
 Nijverheidsstraat 60 | 7575 BK Oldenzaal | The Netherlands
 T. +31 (0)541 200 800 | F. +31 (0)541 200 899
 info@esspost.com | www.easydrain.com

Contact

Easy Sanitary Solutions
 Nijverheidsstraat 60 | 7575 BK Oldenzaal | The Netherlands
 T. +31 (0)541 200 800 | F. +31 (0)541 200 899
 sales@esspost.com | www.easydrain.com