



Easy Drain®  
by ess

## Aqua Jewels Quattro

Easy Drain Aqua Jewels, the world's most advanced shower drain. The square shaped Quattro comes standard with the revolutionary TAF-system and WPS. The height adjustable grate support frame and pre-assembled sealing membrane ensure a seamless and watertight connection with your bathroom floor.

### FEATURES

- Available dimensions - 100x100 - 150x150 - 200x200 mm
- Water Protection System - 10-year warranty
- Siphon - Easy to clean
- Suitable for - New construction and renovation



#### Manufacturer

Easy Sanitary Solutions  
Nijverheidsstraat 60 | 7575 BK Oldenzaal | The Netherlands  
T. +31 (0)541 200 800 | F. +31 (0)541 200 899  
info@esspost.com | www.easydrain.com

#### Contact

Easy Sanitary Solutions  
Nijverheidsstraat 60 | 7575 BK Oldenzaal | The Netherlands  
T. +31 (0)541 200 800 | F. +31 (0)541 200 899  
sales@esspost.com | www.easydrain.com

## GENERAL

Serie	Aqua Jewels
Name	Aqua Jewels Quattro
Model	Square shower drain
Length (mm)	100 x 100, 150 x 150, 200 x 200
Product type	Complete
Application	New construction, Renovation
Certification	EN1253, ETAG-022, DIN 18534

## INSTALLATION

Substrate	Concrete / Sand Cement, Wooden floors, Lewis sheets
Floor finish	Tiles / Mosaic, Glass Mosaic, Thin tiles
Height adjustable feet	Excluded
Installation option	Floor
Outlet	Horizontal (Vertical outlet optional)
Connection (mm)	50 (Global) / 56 (UK)
Min. installation depth (mm) (built-in set)	79
Min. installation depth (mm) (incl. grate)	84

## DRAINAGE

Max. drainage capacity entrance (l/min)	N.A.
Max. drainage capacity wall (l/min)	N.A.
Max. drainage capacity (l/min)	35

## BUILT-IN SET

Pre-assembled sealing membrane	Included
Siphon features	Cleanable, Pivotal & adjustable
Water seal height (mm)	25-50
Outlet	Horizontal (Vertical outlet optional)
Material siphon	ABS

## DESIGN

Grate finish	Black glass
Grate pattern	Zero / Closed
Grate width (mm)	N.A.
Grate tile insert (mm)	N.A.
Adjustable grate	No
Frame type	TAF (Tile Adjustable Frame)
TAF Frame material	Stainless steel (304)
Design frame finish	Brushed stainless steel
Frame width (mm)	100/150/200
Wheelchair accessible	No
Extension set available	No



### Manufacturer

Easy Sanitary Solutions  
 Nijverheidsstraat 60 | 7575 BK Oldenzaal | The Netherlands  
 T. +31 (0)541 200 800 | F. +31 (0)541 200 899  
 info@esspost.com | www.easydrain.com

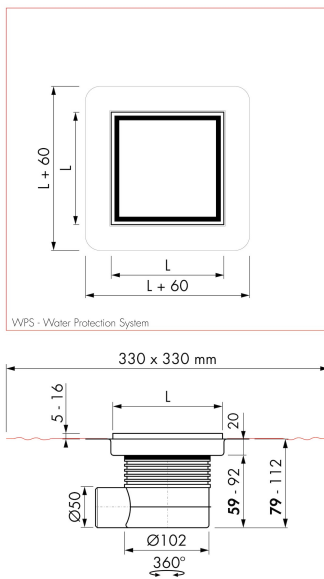
### Contact

Easy Sanitary Solutions  
 Nijverheidsstraat 60 | 7575 BK Oldenzaal | The Netherlands  
 T. +31 (0)541 200 800 | F. +31 (0)541 200 899  
 sales@esspost.com | www.easydrain.com

## ARTICLE CODE

100 x 100 mm	AJQ-10x10-GS		
150 x 150 mm	AJQ-15x15-GS		
200 x 200 mm	AJQ-20x20-GS		

## TECHNICAL DRAWINGS



**Manufacturer**

Easy Sanitary Solutions  
 Nijverheidsstraat 60 | 7575 BK Oldenzaal | The Netherlands  
 T. +31 (0)541 200 800 | F. +31 (0)541 200 899  
 info@esspost.com | www.easydrain.com

**Contact**

Easy Sanitary Solutions  
 Nijverheidsstraat 60 | 7575 BK Oldenzaal | The Netherlands  
 T. +31 (0)541 200 800 | F. +31 (0)541 200 899  
 sales@esspost.com | www.easydrain.com