

Easy Drain[®]
by ess

Modulo Stone Flex

Easy Drain Modulo Stone Flex is a unique custom length shower drain that is developed for natural stone flooring of any thickness. This linear shower drain is installed from wall-to-wall and has an invisible appearance thanks to its frameless design.

FEATURES

- Available lengths - 500 - 2000 mm
- Water Protection System - 10-year warranty
- Certified - EN 1253
- Grate - Height adjustable grate
- Siphon - Easy to clean
- Supplied as - Complete set
- Custom Length - Can be shortened on site



Manufacturer

Easy Sanitary Solutions
Nijverheidsstraat 60 | 7575 BK Oldenzaal | The Netherlands
T. +31 (0)541 200 800 | F. +31 (0)541 200 899
info@esspost.com | www.easydrain.com

Contact

Easy Sanitary Solutions
Nijverheidsstraat 60 | 7575 BK Oldenzaal | The Netherlands
T. +31 (0)541 200 800 | F. +31 (0)541 200 899
sales@esspost.com | www.easydrain.com

Page 1 / 3

GENERAL

Serie	Modulo Stone
Name	Modulo Stone Flex
Model	Rectangular shower drain
Length (mm)	500, 600, 700, 800, 900, 1000, 1100, 1200, 1300, 1400, 1500, 1600, 1700, 1800, 1900, 2000
Product type	Complete
Application	Renovation, New construction
Certification	DIN 18534, ETAG-022, EN 1253, cUPC

INSTALLATION

Substrate	Lewis sheets, Concrete / Sand Cement, Wooden floors
Floor finish	Tiles / Mosaic, Natural stone, Thin tiles
Height adjustable feet	Included
Installation option	Floor
Outlet	Horizontal
Connection (mm)	50 (Global) / 56 (UK)
Min. installation depth (mm) (built-in set)	83
Min. installation depth (mm) (incl. grate)	83

DRAINAGE

Max. drainage capacity entrance (l/min)	34
Max. drainage capacity wall (l/min)	42
Max. drainage capacity (l/min)	42

BUILT-IN SET

Pre-assembled sealing membrane	Included
Siphon features	Cleanable
Water seal height (mm)	50
Outlet	Horizontal
Material siphon	Polypropylene (PP)

DESIGN

Grate finish	Tile
Grate pattern	Zero / Closed
Grate width (mm)	58
Grate tile insert (mm)	Any thickness
Adjustable grate	Yes
Frame type	N.A.
TAF Frame material	N.A.
Design frame finish	N.A.
Frame width (mm)	N.A.
Wheelchair accessible	Yes
Extension set available	No



Manufacturer

Easy Sanitary Solutions
 Nijverheidsstraat 60 | 7575 BK Oldenzaal | The Netherlands
 T. +31 (0)541 200 800 | F. +31 (0)541 200 899
 info@esspost.com | www.easydrain.com

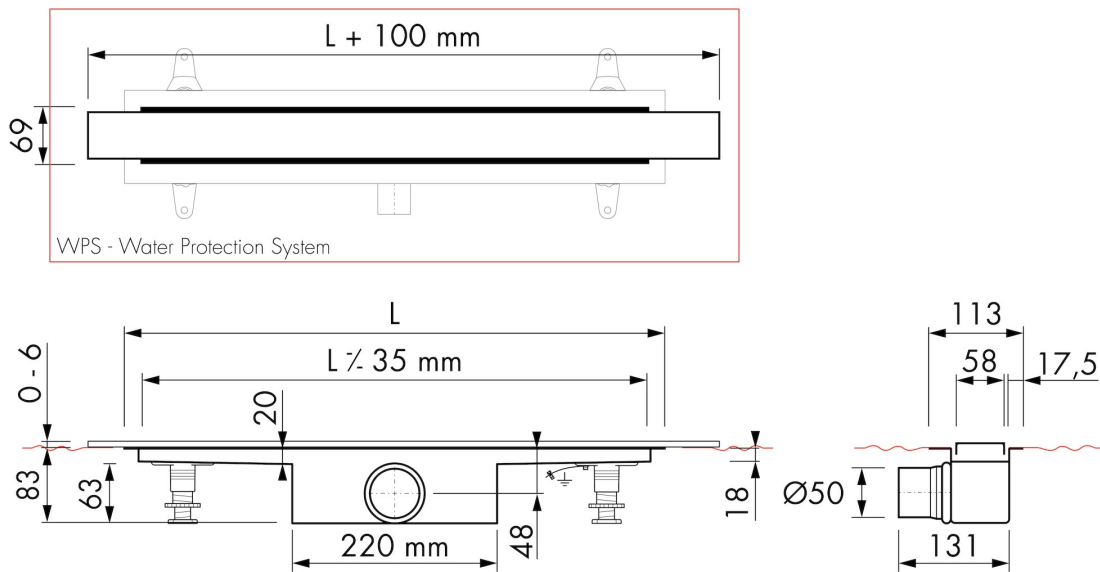
Contact

Easy Sanitary Solutions
 Nijverheidsstraat 60 | 7575 BK Oldenzaal | The Netherlands
 T. +31 (0)541 200 800 | F. +31 (0)541 200 899
 sales@esspost.com | www.easydrain.com

ARTICLE CODE

500 mm	MB-NAT-FL-500 / EDM1 500-50	1300 mm	MB-NAT-FL-1300 / EDM1 1300-50
600 mm	MB-NAT-FL-600 / EDM1 600-50	1400 mm	MB-NAT-FL-1400 / EDM1 1400-50
700 mm	MB-NAT-FL-700 / EDM1 700-50	1500 mm	MB-NAT-FL-1500 / EDM1 1500-50
800 mm	MB-NAT-FL-800 / EDM1 800-50	1600 mm	MB-NAT-FL-1600 / EDM1 1600-50
900 mm	MB-NAT-FL-900 / EDM1 900-50	1700 mm	MB-NAT-FL-1700 / EDM1 1700-50
1000 mm	MB-NAT-FL-1000 / EDM1 1000-50	1800 mm	MB-NAT-FL-1800 / EDM1 1800-50
1100 mm	MB-NAT-FL-1100 / EDM1 1100-50	1900 mm	MB-NAT-FL-1900 / EDM1 1900-50
1200 mm	MB-NAT-FL-1200 / EDM1 1200-50	2000 mm	MB-NAT-FL-2000 / EDM1 2000-50

TECHNICAL DRAWINGS



Manufacturer

Easy Sanitary Solutions
 Nijverheidsstraat 60 | 7575 BK Oldenzaal | The Netherlands
 T. +31 (0)541 200 800 | F. +31 (0)541 200 899
 info@esspost.com | www.easydrain.com

Contact

Easy Sanitary Solutions
 Nijverheidsstraat 60 | 7575 BK Oldenzaal | The Netherlands
 T. +31 (0)541 200 800 | F. +31 (0)541 200 899
 sales@esspost.com | www.easydrain.com