

Easy Drain[®]

by ess

Dot

This unique shower drain from Easy Drain is characterized by its circular shape and extraordinary size. Easy Drain Dot is perfect for renovations thanks to the innovative and patented Multi drainage technology. The included shower board can be easily adjusted in height and shortened to any desired length and width.

FEATURES

- Available size - Ø676 mm
- Drainage capacity - according to EN 1253
- Grate - Height adjustable grate
- Siphon - Easy to clean
- Supplied as - Complete set



Manufacturer

Easy Sanitary Solutions
Nijverheidsstraat 60 | 7575 BK Oldenzaal | The Netherlands
T. +31 (0)541 200 800 | F. +31 (0)541 200 899
info@esspost.com | www.easydrain.com

Contact

Easy Sanitary Solutions
Nijverheidsstraat 60 | 7575 BK Oldenzaal | The Netherlands
T. +31 (0)541 200 800 | F. +31 (0)541 200 899
sales@esspost.com | www.easydrain.com

GENERAL

Serie	Dot/Square
Name	Dot
Model	Round shower drain
Length (mm)	676
Product type	Complete
Application	New construction, Renovation
Certification	DIN 18534

INSTALLATION

Substrate	Concrete / Sand Cement, Wooden floors
Floor finish	Natural stone, Tiles / Mosaic
Height adjustable feet	Excluded
Installation option	Floor
Outlet	Horizontal (Vertical outlet optional)
Connection (mm)	40
Min. installation depth (mm) (built-in set)	90
Min. installation depth (mm) (incl. grate)	80

DRAINAGE

Max. drainage capacity entrance (l/min)	N.A.
Max. drainage capacity wall (l/min)	N.A.
Max. drainage capacity (l/min)	49

BUILT-IN SET

Pre-assembled sealing membrane	Excluded
Siphon features	Cleanable, Pivotal & adjustable, Height adjustable
Water seal height (mm)	30 / 35 / 50
Outlet	Horizontal (Vertical outlet optional)
Material siphon	ABS

DESIGN

Grate finish	Tile
Grate pattern	N.A.
Grate width (mm)	N.A.
Grate tile insert (mm)	12
Adjustable grate	No
Frame type	TAF (Tile Adjustable Frame)
TAF Frame material	N.A.
Design frame finish	N.A.
Frame width (mm)	N.A.
Wheelchair accessible	Yes
Extension set available	No



Manufacturer

Easy Sanitary Solutions
 Nijverheidsstraat 60 | 7575 BK Oldenzaal | The Netherlands
 T. +31 (0)541 200 800 | F. +31 (0)541 200 899
 info@esspost.com | www.easydrain.com

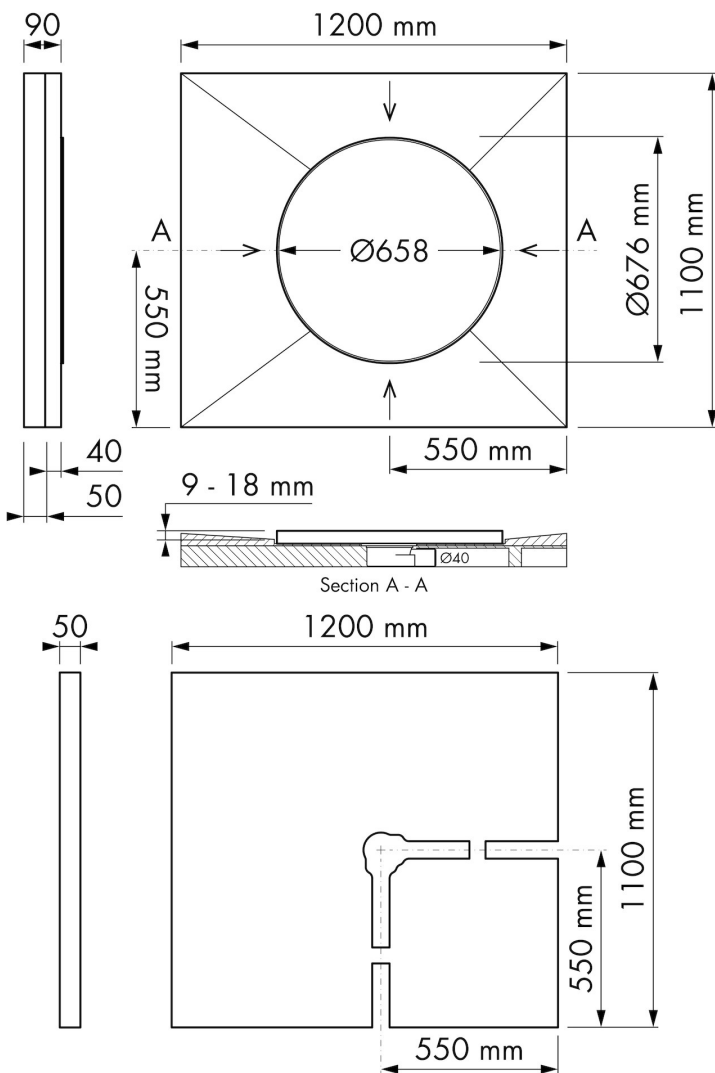
Contact

Easy Sanitary Solutions
 Nijverheidsstraat 60 | 7575 BK Oldenzaal | The Netherlands
 T. +31 (0)541 200 800 | F. +31 (0)541 200 899
 sales@esspost.com | www.easydrain.com

ARTICLE CODE

676 mm	EDDOT-RD		

TECHNICAL DRAWINGS



Manufacturer

Easy Sanitary Solutions
 Nijverheidsstraat 60 | 7575 BK Oldenzaal | The Netherlands
 T. +31 (0)541 200 800 | F. +31 (0)541 200 899
 info@esspost.com | www.easydrain.com

Contact

Easy Sanitary Solutions
 Nijverheidsstraat 60 | 7575 BK Oldenzaal | The Netherlands
 T. +31 (0)541 200 800 | F. +31 (0)541 200 899
 sales@esspost.com | www.easydrain.com