



Container®
by ess

Container T-BOX (Creme)

Create your perfect bathroom with the new invisible Container T-BOX. This one of a kind wall niche with tileable door can easily store all your bathroom accessories and has a simple push-to-open door. Any type of wall will look smooth while offering additional storage. These wall niches are available in various dimensions and colours, to find the storage solution that matches your requirements. T-BOX wall niches are developed for application in the wet area and come with the build-in element & sealing set.

FEATURES

- Easy access - Push-to-open door
- Installation depth - only 100 mm
- Material - High-quality stainless steel
- Suitable for - Drywall and solid wall
- Suitable for - New construction and renovation
- Space-saving - Easily add more space
- Available size - 300x300 mm



Manufacturer

Easy Sanitary Solutions
Nijverheidsstraat 60 | 7575 BK Oldenzaal | The Netherlands
T. +31 (0)541 200 800 | F. +31 (0)541 200 899
info@esspost.com | www.easydrain.com

Contact

Easy Sanitary Solutions
Nijverheidsstraat 60 | 7575 BK Oldenzaal | The Netherlands
T. +31 (0)541 200 800 | F. +31 (0)541 200 899
sales@esspost.com | www.easydrain.com

Page 1 / 3

GENERAL

| | |
|------------------|-------------------------|
| Serie | T-BOX |
| Name | Container T-BOX (Creme) |
| Wall niche model | Tileable wall niche |
| Dimensions (mm) | 300x300x100 |

DESIGN

| | |
|---------------------------|-----------------------|
| Colour / finish | Creme / RAL 9001 |
| Material | Stainless steel (304) |
| Frame finish | Stainless steel (304) |
| Tileable door | True |
| Lumen (lm) | N.A. |
| Color temperature led (K) | N.A. |

INSTALLATION

| | |
|---|--|
| Installation depth (mm) | 100 |
| Variable installation depth | No |
| Built in element and sealing set included | Yes |
| Material built-in element | Polystyreen (PS) |
| Wall type | Drywall construction;Solid wall construction |
| Tile insert door (mm) | 12 |

ARTICLE CODE

| | |
|----------------|-----------------|
| 300x300x100 mm | BOXT-C-30x30x10 |
|----------------|-----------------|

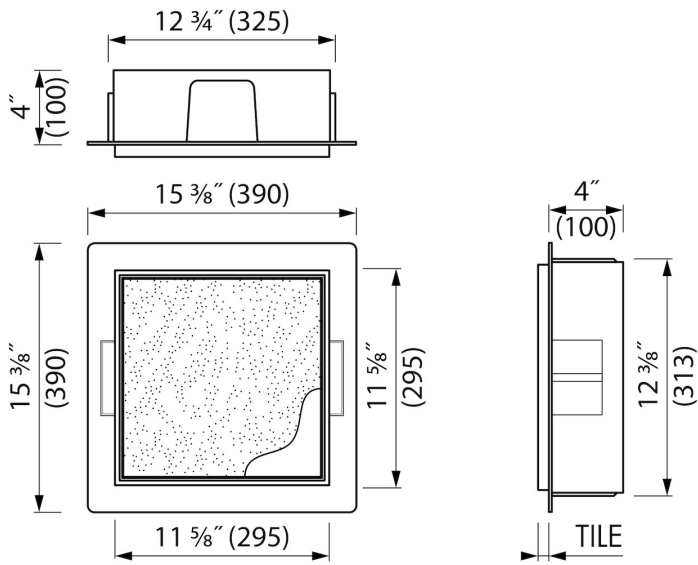
**Manufacturer**

Easy Sanitary Solutions
Nijverheidsstraat 60 | 7575 BK Oldenzaal | The Netherlands
T. +31 (0)541 200 800 | F. +31 (0)541 200 899
info@esspost.com | www.easydrain.com

Contact

Easy Sanitary Solutions
Nijverheidsstraat 60 | 7575 BK Oldenzaal | The Netherlands
T. +31 (0)541 200 800 | F. +31 (0)541 200 899
sales@esspost.com | www.easydrain.com

TECHNICAL DRAWINGS



Manufacturer

Easy Sanitary Solutions
 Nijverheidsstraat 60 | 7575 BK Oldenzaal | The Netherlands
 T. +31 (0)541 200 800 | F. +31 (0)541 200 899
 info@esspost.com | www.easydrain.com

Contact

Easy Sanitary Solutions
 Nijverheidsstraat 60 | 7575 BK Oldenzaal | The Netherlands
 T. +31 (0)541 200 800 | F. +31 (0)541 200 899
 sales@esspost.com | www.easydrain.com